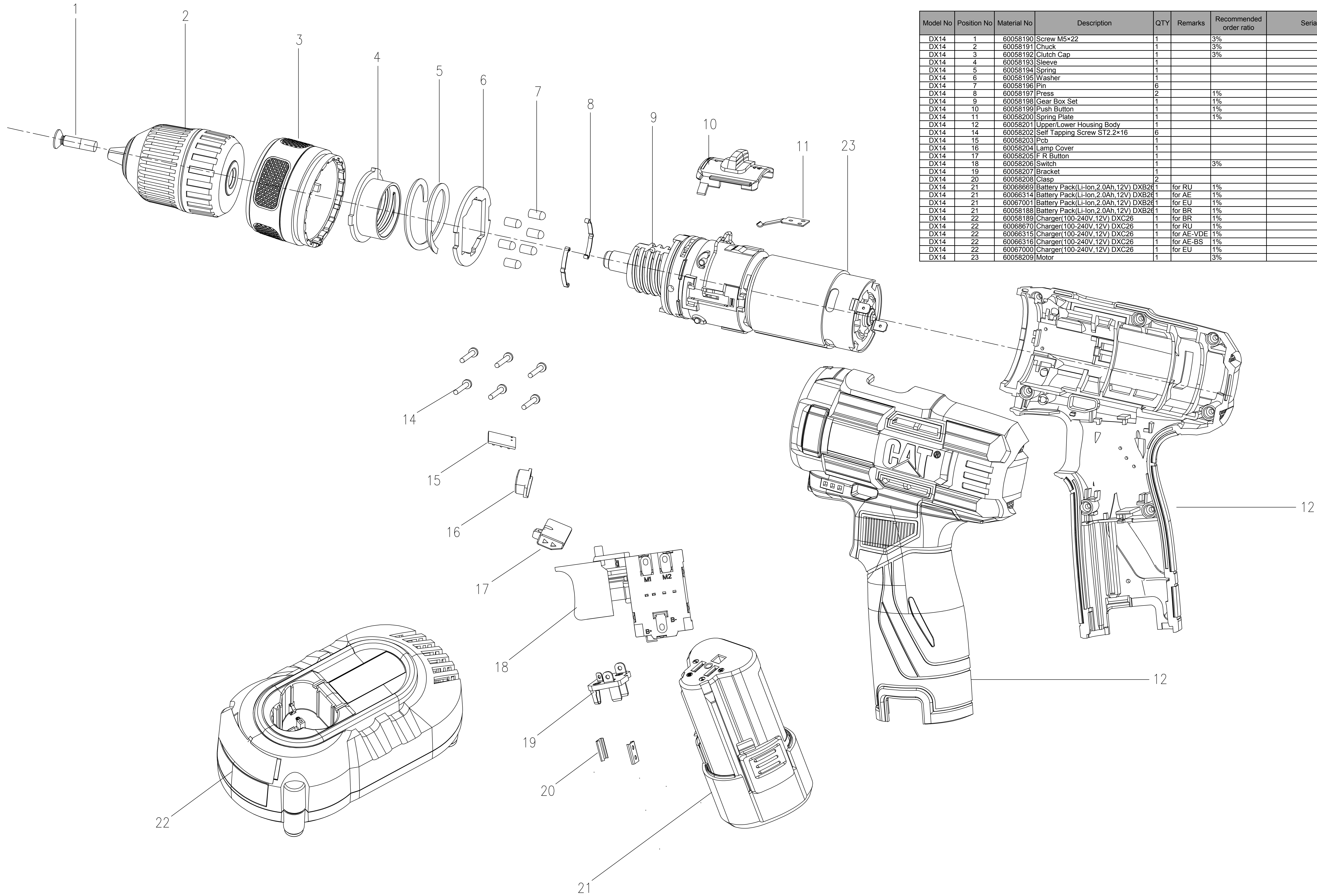


DX14

Version:00
Date:200119



Model No	Position No	Material No	Description	QTY	Remarks	Recommended order ratio	Serial No
DX14	1	60058190	Screw M5x22	1		3%	
DX14	2	60058191	Chuck	1		3%	
DX14	3	60058192	Clutch Cap	1		3%	
DX14	4	60058193	Sleeve	1			
DX14	5	60058194	Spring	1			
DX14	6	60058195	Washer	1			
DX14	7	60058196	Pin	6			
DX14	8	60058197	Press	2		1%	
DX14	9	60058198	Gear Box Set	1		1%	
DX14	10	60058199	Push Button	1		1%	
DX14	11	60058200	Spring Plate	1		1%	
DX14	12	60058201	Upper/Lower Housing Body	1			
DX14	14	60058202	Self Tapping Screw ST2.2x16	6			
DX14	15	60058203	Pcb	1			
DX14	16	60058204	Lamp Cover	1			
DX14	17	60058205	F R Button	1			
DX14	18	60058206	Switch	1		3%	
DX14	19	60058207	Bracket	1			
DX14	20	60058208	Clasp	2			
DX14	21	60068669	Battery Pack(Li-Ion,2.0Ah,12V) DXB26	1	for RU	1%	
DX14	21	60066314	Battery Pack(Li-Ion,2.0Ah,12V) DXB26	1	for AE	1%	
DX14	21	60067001	Battery Pack(Li-Ion,2.0Ah,12V) DXB26	1	for EU	1%	
DX14	21	60058188	Battery Pack(Li-Ion,2.0Ah,12V) DXB26	1	for BR	1%	
DX14	22	60058189	Charger(100-240V,12V) DXC26	1	for BR	1%	
DX14	22	60068670	Charger(100-240V,12V) DXC26	1	for RU	1%	
DX14	22	60066315	Charger(100-240V,12V) DXC26	1	for AE-VDE	1%	
DX14	22	60066316	Charger(100-240V,12V) DXC26	1	for AE-BS	1%	
DX14	22	60067000	Charger(100-240V,12V) DXC26	1	for EU	1%	
DX14	23	60058209	Motor	1		3%	